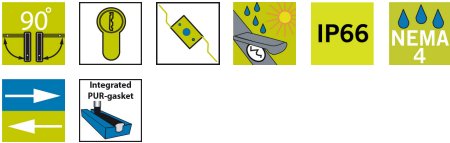


# VISION SWING HANDLE RC2 FOR PROFILE CYLINDER



Low profile swing handle used for latching systems with a control mechanism and flat rods. Approved according to the anti-vandal classification RC2. Optional saw protection available for protection beyond RC2 requirements.

It is used with a 40 mm profile cylinder (ordered separately). Equipped with sliding dust cover and sealed to IP66.



## MATERIAL

**Mulde:** Zinkdruckguss, schwarz pulverbeschichtet

**Griff:** Zinkdruckguss, schwarz pulverbeschichtet

**Gelenkdorn:** Zinkdruckguss, verzinkt

**Staubkappe:** TPE

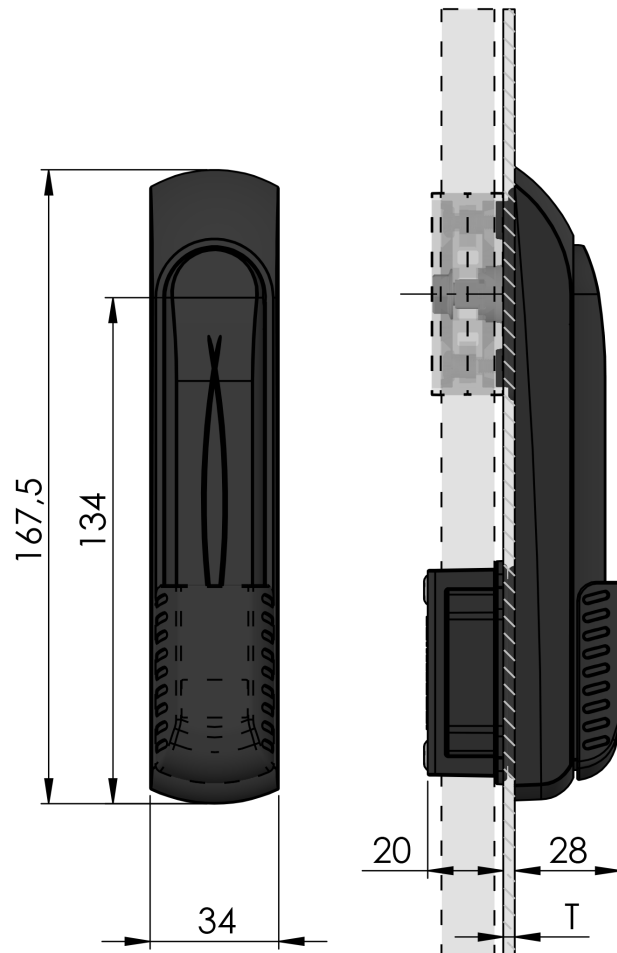
**O-ring:** NBR

## ÄHNLICHE PRODUKTE

**Zylinder:** 1-210, 1-211

**Ähnliche Produkte:** 1-004.14

Use the Index Code at [industrilas.com](http://industrilas.com)



**A product number is created by combining the figures in each column (AAAA-BBCCDE-FF)**

AAAA Type	BB Betätigung / Zylinder	CC Material / Surface treatment	D Schutzart	E Türstärke	FF Burglar protection
1540 Handle for control mechanism	83 For profile cylinder	16 Zinkdruckguss mit schwarzem Strukturlack pulverbeschichtet	5 IP66	1 0,8 - 1,5 mm	01 RC2 02 RC2 + saw protection
		26 Zinc die cast, black texture powder coated, Highlander		2 1,6 - 2,5 mm	
				3 2,6 - 3,5 mm	

Version C

